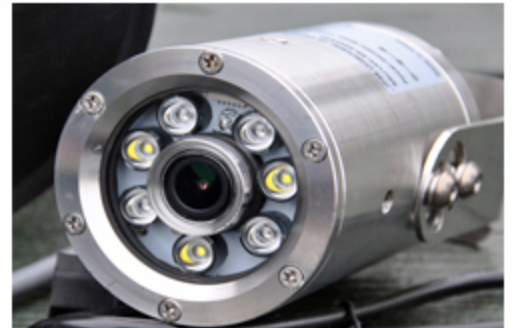


4k – kan leveres med dybde sensor ved bestilling

2.8MM Lens 5MP 25FPS Underwater IP Camera #DZ10010-SS(UW-S8-3CX)

Application: Aquaculture (fish farming, raising sea cucumber, etc.), Aquarium breeding ,Laboratory observation ,Shipborne,Ship engine monitoring ,Car ,Underwater wedding photography,Undersea marine life research , hole of water conservancy pipe,Downhole TV , Diving adventure camera,Underwater engineering acceptance,Downhole observation (such as drilling and workover),Fishing



Main advantage:

- 1: Resolution:8MP 3840×2160P 30FPS color 0.01Lux F1.2,black/white 0.001Lux F1.2
- 2:Sensor: 1/2.7" OV CMOS sensor
- 3.Fixed lens: 5.5mm (H.FOV:85°)
- 4.Illumination: Light sensor controlled 3 white light ,10 level brightness settings, Light sensor controlled 4 infrared light ,10 level brightness settings 400Lumen
- 5.Demension:Φ70mm*100mm
- 6.Waterproof: Maximum 500KPa (Waterpressure resistance 50M)
- 7.Supports Support iOS, Android, computer, NVR.Compatible with hikvision, dahua, proprietary protocol.(Only support windows-IE browser for camera internal parameter setting)
- 8.Support IPv4/IPv6,802.1x,HTTPS, HTTP, TCP/IP, UDP, RTP, RTCP, UPNP, RTSP, SMTP, NTP, DHCP, DNS, PPPOE, DDNS, FTP,RTSP,ONVIF;SDK Secondary development



MARIN FOTO

Knappevegen 24, 5337 RONG - NORWAY

Tlf: 92 02 32 48

www.marinfoto.no
marin@uvfoto.com



Deep sensor spec		Testing depth testing arranging: 0- 10KPa,20KPa,35KPa,70KPa,100KPa,200KPa,350KPa,700KPa,1000KPa,2000KPa,3500KPa,7MPa,10MPa,20MPa,35MPa,60MPa,70MPa,80MPa,100MPa		
		Typical value	Maximum Value	
Nonlinear		$\pm 0.15(0\sim 2\text{MPa})$ $\pm 0.2(3.5\text{MPa}\sim 60\text{MPa})$	± 0.3	%F.S
Repeatability and Hysteresis		0.02	0.05	%F.S
Zero output		0 ± 1	0 ± 2	mV
Satisfy the output	$\leq 20\text{KPa}$	50 ± 10	50 ± 30	mV
	$\geq 35\text{KPa}$	100 ± 10	100 ± 30	mV
Zero point temperature error	$\leq 20\text{KPa}$	± 1	± 2	%F.S
	$\geq 35\text{KPa}$	± 0.5	± 1	%F.S
Meet temperature error	$\leq 20\text{KPa}$	± 1	± 2	%F.S
	$\geq 35\text{KPa}$	± 0.5	± 1	%F.S
Pressure Overload		Rated range 3X or 120MPa,take the minimum of the two		
Working temperature		$-20^{\circ}\text{C}\sim 80^{\circ}\text{C}$		$^{\circ}\text{C}$
Compensation temperature range		$0^{\circ}\text{C}\sim 70^{\circ}\text{C}; 0^{\circ}\text{C}\sim 50^{\circ}\text{C}(\text{rate range } \leq 20\text{KPa})$		$^{\circ}\text{C}$
Storage temperature range		$-40^{\circ}\text{C}\sim 125^{\circ}\text{C}$		$^{\circ}\text{C}$



MARIN FOTO

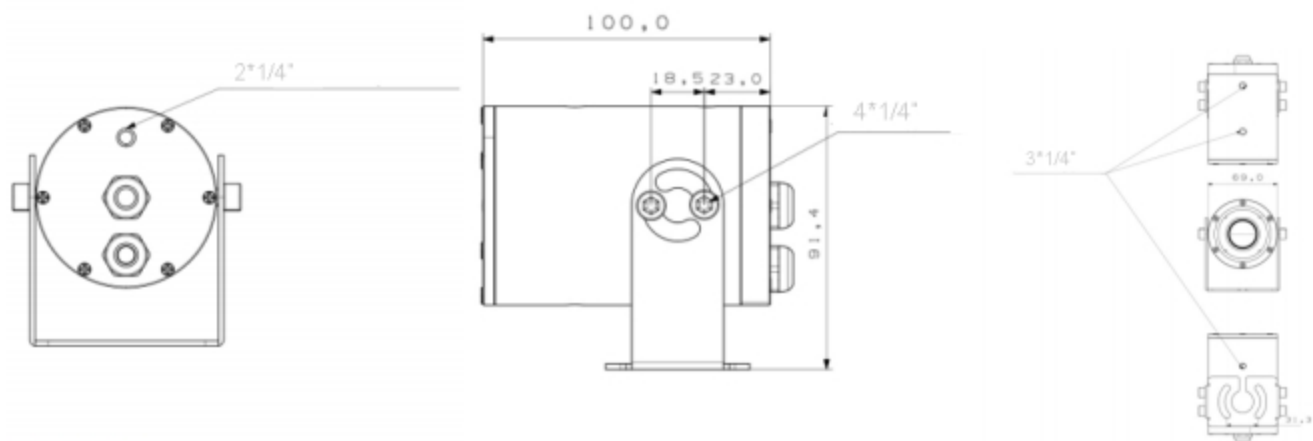
Knappevegen 24, 5337 RONG - NORWAY

Tlf: 92 02 32 48

www.marinfoto.no
marin@uvfoto.com



spec info undervanns dybde sensor



Detail Spec

Camera Dimension	Φ70mm*100mm(L)
Lens	5.5mm (H.FOV:100°), lens
Sensor	1/2.7" OV CMOS sensor ,color 0.01Lux F1.2,black/white 0.001Lux F1.2
Resolution	8MP 3840×2160P 30FPS
Illumination	3pcs led lights and 4 pcs infrared lights, 10 level brightness level ; 400Lumen
Water depth	500Kpa (50M)
Camera Housing	316L stainless steel
Cable	The default length is 10 meters (the longest is no more than 80 meters),PU material,Diameter 7MM.Resistance to 60KG pull,Anti-aging,Anti-friction,Resistance to seawater corrosion,Special underwater wire.
Support device	Support iOS, Android, computer, NVR.Compatible with hikvision, dahua, proprietary protocol.(Only support windows-IE browser for camera internal parameter setting)
Supporting agreement	IPv4/IPv6,802.1x,HTTPS, HTTP, TCP/IP, UDP, RTP, RTCP, UPNP, RTSP, SMTP, NTP, DHCP, DNS, PPPOE, DDNS, FTP,RTSP,ONVIF;SDK Secondary development
Use environment	Sea water / fresh water /Underwater,land,Car,Shipborne.
Working humidity	0%-100%
working temperature	-20°~55°
Power Supply	Cable length ≤ 10 meters;3 options: Default options 1:DC12V/POE 48V-54V IEEE.802.af power input and output pin: 1, 2 (+) / 3, 6 (-); options 2:DC12-DC28V/AC12-AC28V; options 3:POE 48V-54V IEEE.802.af power input and output pin: 1, 2 (+) / 3, 6 (-),4, 5 (+) / 7, 8 (-); Cable length 11-70 meters;2 options: options 1:DC24V/AC24V; options 2:POE 48V-54V IEEE.802.af power input and output pin: 1, 2 (+) / 3, 6 (-),4, 5 (+) / 7, 8 (-);
Net weight	2KG
Package	1* camera 1* camera bracket 1*U disk (instruction and software)



MARIN FOTO

Knappevegen 24, 5337 RONG - NORWAY

Tlf: 92 02 32 48

www.marinfoto.no
marin@uvfoto.com

