

Grip Base D5

INON INC. is pleased to announce official release of completely new *Grip Base D5* on January 29, 2020.



Grip Base D5

-- Retail in Japan JPY8,000-
--JAN code: 456212143 953 5



D5 Holder

-- Retail in Japan JPY4,000-
--JAN code: 456212143 954 2



D5 Base

-- Retail in Japan JPY4,000-
--JAN code: 456212143 955 9



M6 Base Tripod Screw Set

-- Retail in Japan JPY3,500-
--JAN code: 456212143 956 6

*The *D Holder* is not compatible with the *Grip Base D5*.

*The *D5 Holder* is not compatible with *Grip Base D4*.

*The *Grip Base D4*, *Grip Base M1* and *D Holder* will be discontinued upon release of *Grip Base D5*.

Features

- Totally redesigned *Grip Base D5* is a simple yet durable and broad versatility to support stable placement of camera system and top end of its grip accepts wide range of INON adapters to connect strobe/LED torch.
- Two tripod screws firmly attach D5 Base on the bottom of a housing.



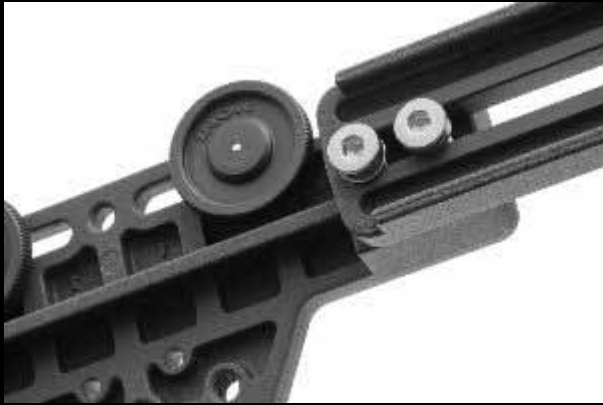
- Rubber grip is easy to hold and grippy.



- The handle can be adjustable with 4 cm/1.6" movable range to use for compact through DSLR housing.



- Made of aluminum alloy die cast and multilayer rib structure design dramatically strength bend resistance and miniaturize at 20% comparing to previous model.



- Handle top can hold wide variety of adapters.



- The D5 Base can have optional adapters to use as simple solution for underwater tripod.



• Optional *M6 Base Tripod Screw Set* is required to use together with an *INON Mount Base, Lens Adapter Base* or *Video Base*.



Specifications

Grip Base D5

Size: W208.5x H142.5 x D59.5 mm/W82.1 x 56.1 x 23.4 inch
Weight: Air 315 g/11.1 oz., Underwater 175g/6.2 oz.
Material/finishing: Corrosion resistance aluminum alloy, rigid alumite, POM etc.

D5 Holder

Size: W114.6 x H142.5 x D59.5 mm/W4.5 x 5.6 x 2.3 inch
Weight: Air 158 g/5.6 oz., Underwater 70g/2.5 oz.
Material/finishing: Corrosion resistance aluminum alloy, rigid alumite, POM etc.

D5 Base

Size: W162 x H17.9 x D59.5 mm/W6.4 x H0.7 x 2.3 inch
Weight: Air 156 g/5.5 oz., Underwater 105 g/3.7 oz.
Material/finishing: Corrosion resistance aluminum alloy, rigid alumite, POM etc

January 27th, 2020
INON INC.

*Press release information is as of January 27th, 2020 and subject to change without prior notice.

INON

The home of ultimate underwater imaging gear

www.inon.jp