



MARIN FOTO
www.marinfoto.no
Tlf: 920 23 248

Barlus 4K and 30xZoom PTZ Industrial Subsea Video Camera DZ10010-SS-PTZ180

Pan:360° Tilt:180°

4K

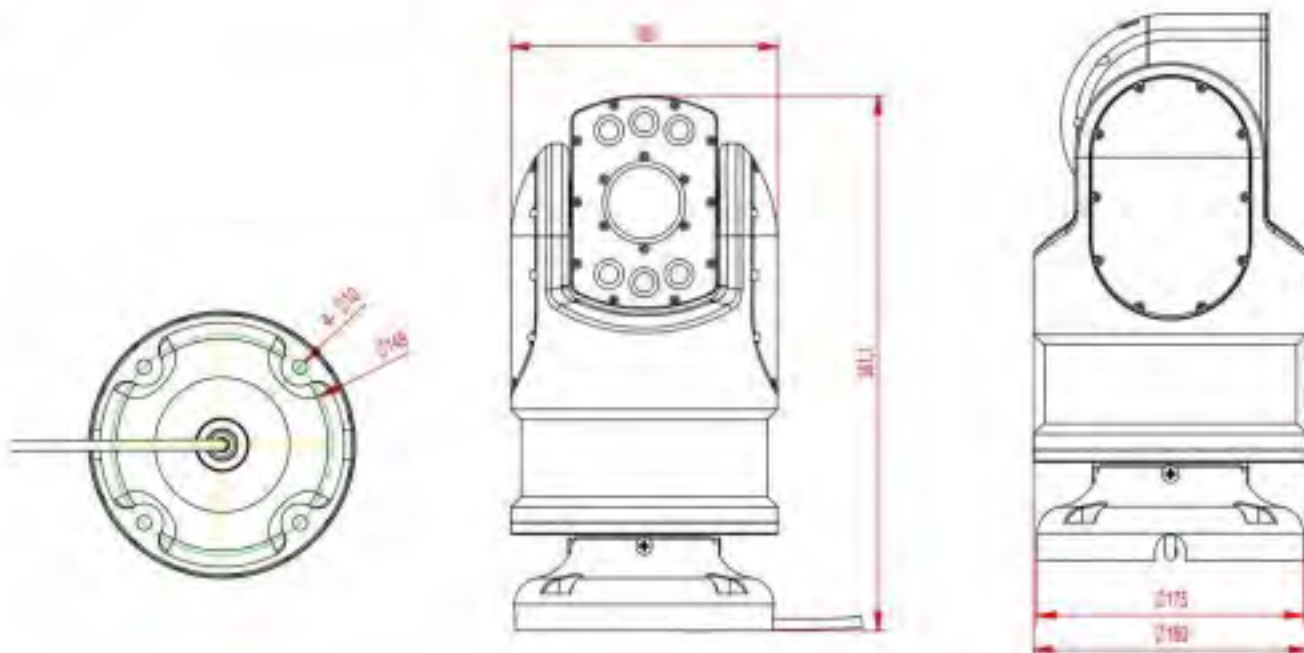
30Xzoom

100M seawater depth

Built-in lights



Drawing



MARIN FOTO

Knappevegen 24, 5337 RONG - NORWAY

Tlf: 92 02 32 48

www.marinfoto.no
marin@uvfoto.com



Application

Offshore oil and gas
Oceanographic
Fish net pen inspection
Offshore survey
Analysis of the underwater ecosystem
Subsea drilling and ROV operation
Seawater and fresh water research
Salmon fish monitoring and control
Field biologist for field work or field work
All other visual applications

Detail spec

Camera head dimension	Φ180mm*155mm(L)
Camera head with 2 extra lights	350mm(L)*141mm(H)*174mm(W)
Sensor	4.7-141mm 30X Optical zoom lens; Wide(H:60.5,V:35.1), tele(H:2.3,V:1.3)
Lens	1/2.8" SONY CMOS sensor,color 0.001LuxF1.2,Black/white 0.0001LuxF1.2
Rotation	Pan:360° endless,Tilt:180°, Pan:0-160°/s,Tilt:0-90°/s
Illumination	Built-in 6pcs white led lights, 10 level dimness
Resolution	4K 3840x2160P 30fps 5MP 2592x1944P 30fps/50fps 4MP 2590x1920P 30fps/60fps 3MP 2048x1536P 60fps 2MP 1920x1080P 60fps
Image color	Full color
Camera housing material	Titanium
Waterproof	IP86,Water depth:100M;Permanently install underwater seawater
Cable	Φ12mm thickness industrial cable. Resistant to 60KG pull,anti-friction,anti-aging,anti-seawater corrosion
Support device	Computer,NVR
Supporting agreement	IPv4/IPv6,802.1x,GB28181,HTTPS, HTTP, TCP/IP, UDP, RTP, RTCP, UPNP, RTSP, SMTP, NTP, DHCP, DNS, PPPOE, DDNS, FTP,RTSP,RTMP,ONVIF;SDK Secondary development
Use environment	Sea water / fresh water /land
Working humidity	0%-100%
Working temperature	-20°~55°
Power supply	DC24V 72W
Net weight	15KG
Package	1* camera 1* bracket 1*U disk (instruction and software)



MARIN FOTO

Knappevegen 24, 5337 RONG - NORWAY

Tlf: 92 02 32 48

www.marinfoto.no
marin@uvfoto.com

