

# Multi Direct Base IIa

INON INC. is pleased to announce official release of renewed 「Multi Direct Base IIa」 on March 1, 2013. The new 「Multi Direct Base IIa」 is a fundamental base adapter to attach an arm product on a digital camera housing etc.

- ・「Multi Direct Base IIa」
- Schedule release date: March 1, 2013
- JAN code : 456212143 749 4



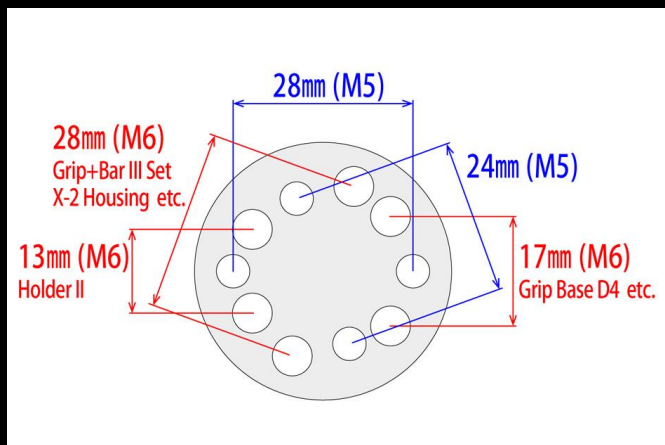
「Multi Direct Base IIa」

## ■ Product features ■

The 「Multi Direct Base IIa」 is a base adapter to add a ball-joint on handle of a digital SLR housing, dedicated mount of a housing or grip base for compact digital cameras to have a strobe or other lighting device via connecting arm with a clamp. This adapter is manufactured by machining corrosion resistant aluminum alloy. Its base plate has large area and is fixed by two cap screws firmly to comfortably hold heavy gears. There are 6x M6 screw holes and 4x M5 screw holes to accommodate with various housings and handles. The ball-joint is designed with hollow portion to lighten total weight.



「Multi Direct Base IIa」 attached on 「Holder II Grip Set」



「Multi Direct Base IIa」 screw holes

### ■ Compatible products ■

- Grip Base D4, Grip Base M1
- D Holder, D Holder Extension Bar
- Grip Base DIII with Rubber Grip, Grip Base DII with Rubber Grip
- Holder II
- Grip Bar III Set, Grip Bar II Set, Grip Bar Set
- Holder II Grip Set
- Holder Base
- Port Arm for MRS, Port Arm for UFL-MR130 EFS60
- Tripod Adapter
- X-2 series housing, X1-Z/LZ/NZ housing
- Other brand housing/arm system including Anthis, Kenko, Sea&Sea, Nauticam etc. (\*1)

(\*1)

Not confirmed compatibility with particular model. Make sure to check exact compatibility and if it interferences with other combined product(s) before purchasing.

### ■ Specifications ■

|                   |  |
|-------------------|--|
| Length:           | 48mm/1.9in.  |
| Effective length: | 37mm/1.5in.  |
| Weight:           | 33g/1.2oz(air), approx. 20g/0.7oz(underwater)  |
| Packaged with:    | M6 Cap Screw x 2, M5 Cap Screw x 2, M6 Flat Washer x 2, M5 Flat Washer x 2, Allen Wrench |

### ■ Relative information on INON web site ■

- 「Arm System 『Multi Direct Base IIa』」  
[http://www.inon.jp/products/armsystem/components.html#multi\\_d\\_base\\_2a](http://www.inon.jp/products/armsystem/components.html#multi_d_base_2a)
- 「Arm System 『System Base II』」  
<http://www.inon.jp/products/armsystem/base.html#systembase2>
- 「X-2 for GF2 Housing」  
[http://www.inon.jp/products/housing/x2\\_gf2/top.html](http://www.inon.jp/products/housing/x2_gf2/top.html)
- 「X-2 for EOS60D Housing」  
[http://www.inon.jp/products/housing/x2\\_eos60d/top.html](http://www.inon.jp/products/housing/x2_eos60d/top.html)

February 26th, 2013

INON INC.

\*Press release information is as of February 26th, 2013 and subject to change without prior notice.

**INON**

*The home of ultimate underwater imaging gear*

[www.inon.jp](http://www.inon.jp)